

Malibu CT301G SP/A COUNTERTOP

Self Pasteurising High Output Soft Ice Cream Machine



Agitator improves consistency and quality.

Main Features

- ✓ Single flavour easy dispensing head with self-closing handle.
- ✓ Can serve frozen yogurt or soft ice cream.
- ✓ Self Pasteurising – only needs cleaning once per month.
- ✓ Very quiet operation with inverter system & direct drive motor.
- ✓ High output up to 340 portions (34kg) per hour.
- ✓ Suitable for self service applications.
- ✓ Pump machine available for even higher overrun.

Self promoting

- ✓ Illuminated multicolour front panel.
- ✓ Customisable graphics option for branding

Enhanced Quality

- ✓ Hopper agitator for improved product consistency.
- ✓ Inverter system automatically enhances product quality.
- ✓ Auto regeneration function for quiet periods.

Easy Cleaning

- ✓ Only needs cleaning every 30 days.
- ✓ Heat cycle for easier and faster cleaning.
- ✓ Optional built in water system for easier cleaning.
- ✓ Gravity machine means less parts to clean.
- ✓ Standby mode keeps mix refrigerated when not in use.

Simple User Control

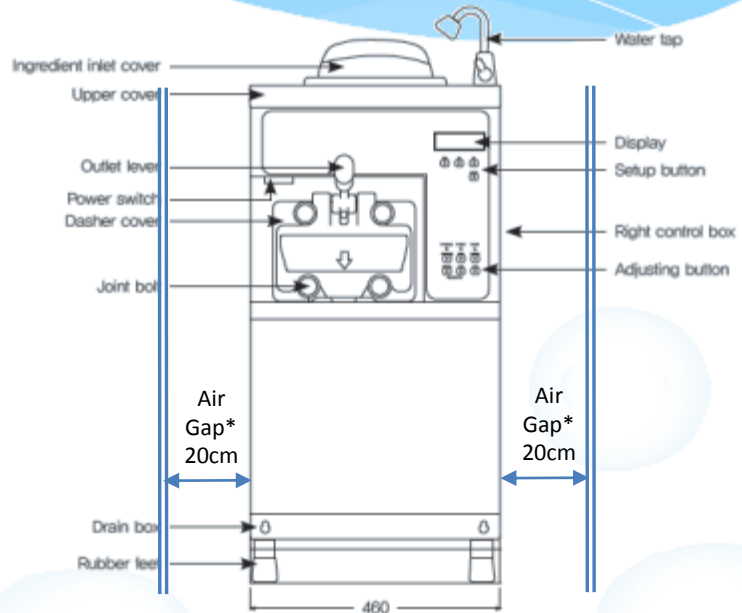
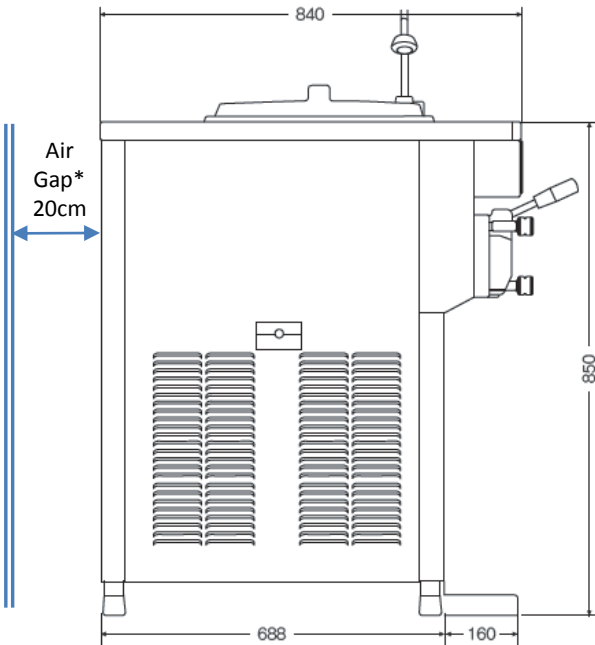
- ✓ Voice function for prompts.
- ✓ Simple touch sensitive controls.
- ✓ Digital display and lockable control panel.
- ✓ Mix low level and mix “out” visual and audible warning.
- ✓ Monitor hopper and cylinder temperatures.
- ✓ Adjustable product consistency from front panel.
- ✓ Adjustable dispensing speed control.

Advanced Management Control

- ✓ Advanced menu system offers enhanced functionality and monitoring.
- ✓ Portion counter to record number of servings
- ✓ Memory keeps log of pasteurisation results
- ✓ Program shut down mode – if cleaning is not undertaken in specified period machine will not run.

The CT301G SP/A soft ice cream machine is the machine for busy environments where performance and costs are critical. It is self pasteurising so only needs cleaning at most every 30 days saving on labour. Pump version is CT301P SP/A.

*Pump model is CT301P SP/A



Characteristics and Performance

Flavours	1
Countertop / Floor Standing	Countertop
Pump / Gravity	Gravity or *Pump
Mix Hopper Tank Agitator	Yes
Self Pasteurising	Yes
Percentage Overrun- Variable	Up to 40% (70-80% on Pump Model)
Output: kg / hour	34
Cones / minute	5
Consecutive Cones*	20

Functions

Hardness Control	Yes
Hopper Temperature control	Yes
Low Level Mix Warning	Yes
Digital Display	Yes
Display Menu Voice Guidance	Yes
Overnight Standby Mode	Yes
Advanced Menu	Yes
Menu Lock	Yes
Wash Function	Yes

Suitability and Options

Water Supply Required	Optional
Suitable for Frozen Yogurt	Yes
Suitable for Self Serve	Manual
Available as Fling Model	Yes
Decals / Stickers Available	Yes
Stand Available	Yes
Starter Pack Available	Yes
Service Pack Available	Yes
Electrical Supply Type	13 Amp 3 Pin

Specification and Electrical

Hopper Capacity (litres)	17.5
Cylinder Capacity (Litres)	3.2
Electrical Supply Phases	Single
Volts	240
Operating Power (Kw)	2.2
Invertor	Yes
Cooling	Air
No. Compressors	1
Weight (kg)	153
Dimensions W x D x H (mm)	460 x 840 x 850

Warranty on New Machines: 3 Years On Compressor & Condensor, 2 Years On Other Non-wear Parts, 1 Year Labour

*Like most soft ice cream machines this machine requires an air gap in order for the cooling to function. Restricting air flow around the machine may lead to problems with product consistency and operation of the machine. If the available space is restricted please see our models with rear flues.

Available from:

Malibu Corporation Limited

8/9 Harp Road • Trafford Park • Manchester • M17 1SR

Tel: +44 (0) 161 874 5400 Fax: +44 (0) 161 872 3296

e: sales@malibu-corporation.com w: www.malibucorporation.co.uk